

Robust tow tractor with sprung loaded wheels for indoor and outdoor use

Comfortable operation

Automatic parking brake

Impulse electronic "SpeedControl" giving smooth acceleration

High energy efficiency with maintenance free AC technology

Weather protection cabin (optional)



EZS 570

Tow Tractor (7000 kg)

The Jungheinrich EZS 570 is a versatile tow tractor with low running costs capable of handling trailers up to 7000 kg. The ability to couple several trailers together, provides a flexible materials handling operation.

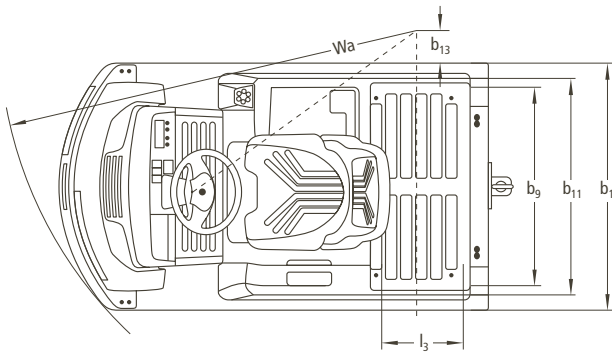
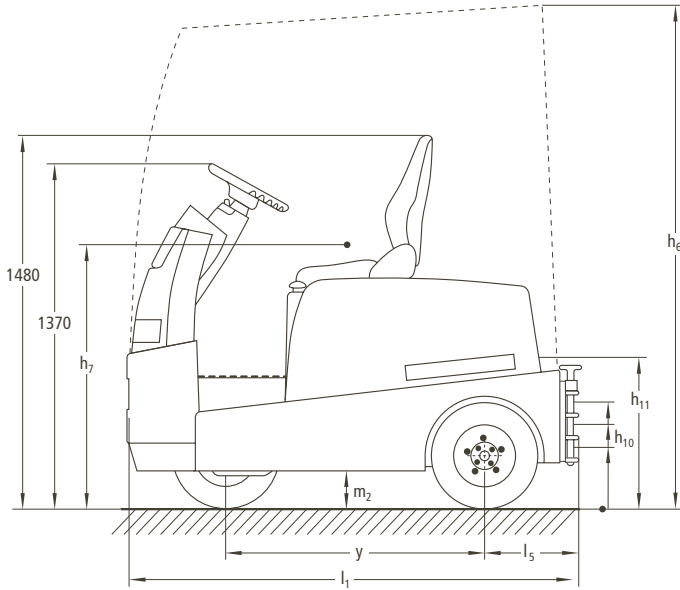
The coupling is visible from the operator's seat and is easily accessible. The semi-automatic remote release (optional) allows the coupling and decoupling of trailers without the operator having to leave the vehicle saving both time and money. The EZS 570 is available with many different

couplings to allow it to fit every trailer type.

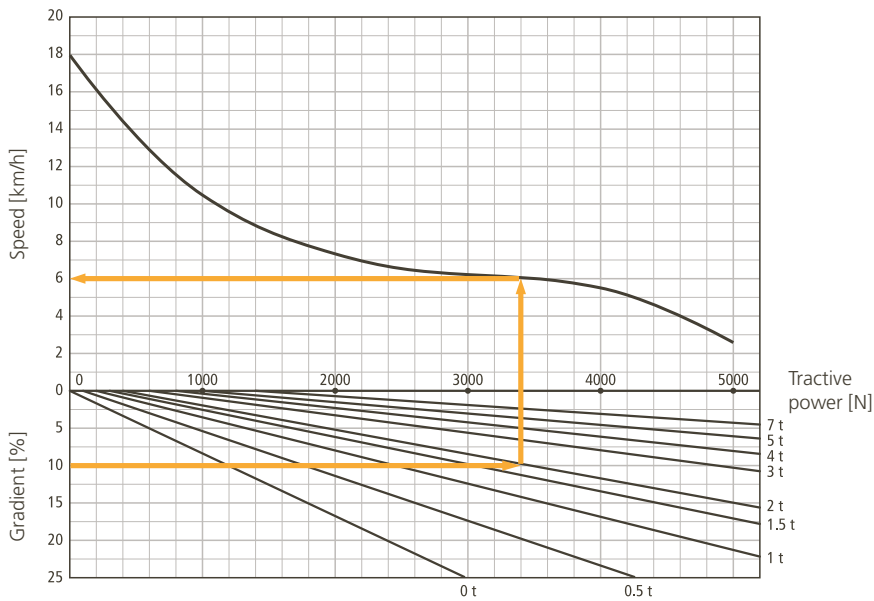
High performance is ensured with the 48 V drive motor using AC technology. The advantages are powerful acceleration and high top speed, with significant energy saving, extended operating times and low maintenance (through the omission of carbon brushes). This is due to the optimal set up between the drive motor and the electronic controller as well as the regenerative braking.

One of the main ergonomic advantages is the position of the operator's seat giving ample leg room. The low foot step reduces effort during entry and exit of the vehicle. The compactness of the tow truck ensures the close proximity of the operator position to the load. The EZS operates effortlessly in tight spaces due to its very tight turning circle. The sprung loaded wheels offer both travel comfort and safety. The automatically activating parking brake reduces roll-back on slopes.

EZS 570



Performance diagram EZS 570



Example:

The EZS 570 travels on a 10% incline with a 2000 kg load. It requires 3400 N tractive power for this and reaches approx. 6 km/h.

Note:

No continuous operation possible for EZS 570 over 1400 N.

The utilisation of braked trailers is recommended for up/down gradients of more than 4%!

Technical Data in line with VDI 2198 as at: 08/2010

Identification	1.1	Manufacturer (abbreviation)		Jungheinrich	1.1
	1.2	Manufacturer's type designation		EZS 570	1.2
	1.3	Drive		electric	1.3
	1.4	Operator type		seat	1.4
	1.5	Load capacity/rated load	Q (t)	7	1.5
	1.7	Rated drawbar pull	F (N)	1400	1.7
	1.9	Wheelbase	y (mm)	1035	1.9
Weights	2.1	Service weight incl. battery (see line 6.5)	kg	1220	2.1
	2.3	Axle loading, unladen front/rear	kg	570/650	2.3
Wheels, Chassis	3.1	Tyres		SE (pneumatic optional)	3.1
	3.2	Tyre size, front		4.00-8/6 PR	3.2
	3.3	Tyre size, rear		4.00-8/6 PR	3.3
	3.5	Wheels, number front rear (x = driven wheels)		1/2 x	3.5
	3.7	Track width, rear	b ₁₁ (mm)	860	3.7
Basic Dimensions	4.7	Height of overhead guard (cabin)	h ₆ (mm)	2120	4.7
	4.8	Seat height/stand height	h ₇ (mm)	1030	4.8
	4.12	Coupling height	h ₁₀ (mm)	240/420 ²⁾	4.12
	4.13	Loading height, unladen	h ₁₁ (mm)	630	4.13
	4.16	Length of loading surface	l ₃ (mm)	400	4.16
	4.17	Overhang	l ₅ (mm)	387	4.17
	4.18	Width of loading surface	b ₉ (mm)	795	4.18
	4.19	Overall length	l ₁ (mm)	1820	4.19
	4.21	Overall width	b ₁ /b ₂ (mm)	996/-	4.21
	4.32	Ground clearance, centre of wheelbase	m ₂ (mm)	138	4.32
Performance Data	5.1	Travel speed, laden/unladen	km/h	8.5/18	5.1
	5.5	Drawbar pull, laden/unladen	N	-/1400	5.5
	5.6	Max. drawbar pull, laden/unladen	N	-/5500	5.6
	5.7	Gradeability, laden/unladen	%	- ¹⁾	5.7
	5.8	Max. gradeability, laden/unladen	%	- ¹⁾	5.8
	5.10	Service brake		hydraulic/mechanic	5.10
E-Motor	6.1	Drive motor rating S ₂ 60 min.	kW	4.3	6.1
	6.3	Battery acc. to DIN 43531/35/36 A, B, C, no		43531 A	6.3
	6.4	Battery voltage, nominal capacity K ₅	V/Ah	48/345	6.4
	6.5	Battery weight	kg	575	6.5
	6.6	Energy consumption acc. to VDI cycle	kWh/h	1.93	6.6
	Others	8.1	Type of drive control		impulse/AC
8.4		Sound level at the driver's ear according to EN 12 053	dB (A)	57	8.4

1) see diagram
2) 240/330/420 mm

Make use of the advantages

Innovative AC technology

Jungheinrich motors with AC technology provide increased efficiency with reduced operating costs whilst also giving:

- Higher efficiency with excellent energy consumption.
- Powerful acceleration.
- High top speed, even when laden.
- Quick travel direction changes without any delays.
- No carbon brushes – the drive motor is maintenance free.
- Two year drive motor guarantee.

Comfortable and safe operation

The impulse electronic management system SpeedControl and the automatic electrical braking system ensure the comfortable and safe operation of the vehicle, with adjustment opportunities to suit every application:

- The travel speed is automatically maintained irrespective of the gradients the truck is operating on.
- 3 programmable settings for all applications.
- Regenerative braking returns energy to the battery whilst decelerating.
- Safe starting and stopping on slopes with the electric parking brake that automatically engages when stationary and automatically releases when starting.
- Crawl speed button for travelling at reduced speed (speed settable).

Optimised ergonomics

- Low step for effortless entry and exit to and from the vehicle.
- Close proximity of operator position to coupling and load.
- Highly visible and accessible coupling.
- Fast, easy coupling/decoupling of trailers with semi-automatic remote un-



Ergonomic low step for effortless entry and exit

locking from the operator position (optional).

- Inching controls for simple coupling and decoupling (optional).
- Non-marking super-elastic wheels (optional).
- Many storage areas for the operator.

Robust construction for the hardest applications

- Chassis of 8 mm high quality steel.
- Extra-high chassis apron to the front.
- Robust high intensity, LED (light emitting diode) rear lights and indicators.

Long operating times

- Energy efficient AC technology and high battery capacity together with regenerative charging ensure long operational times.
- Standard version 3 PzS 345 Ah.

Always informed

Easily read display and instruments always allows a complete overview:

- Battery discharge indication, operation hours, speed and fault diagnostics.
- PIN activation of the vehicle (optional).
- Choice of 3 travel programmes.
- Adjustable travel parameters.

Additional equipment

Extensive accessories allow tailoring to every application:

- Inching controls for comfortable coupling and decoupling.
- Additional steel chassis protection made from steel.
- Holder for RF data communications components.
- Different couplings.
- Comfortable charging: Charge the built-in battery with no need to open panels.
- Cabins with a variety of facilities for travelling outside.



Clear layout of controls ensures easy operation

Jungheinrich UK Ltd.

Head Office:

Sherbourne House · Sherbourne Drive

Tilbrook · Milton Keynes MK7 8HX

Phone 01908 363100

Fax 01908 363180

info@jungheinrich.co.uk

www.jungheinrich.co.uk



JUNGHEINRICH
Well worthwhile