

**Powerful and economical  
maintenance-free AC drive motor**

**Excellent ground clearance  
due to lifting battery and  
stand-on platform**

**ShockProtect to protect operator,  
truck and load**

**ProTraLink for high stability  
when cornering**



## ECE 118

### Horizontal order picker (1800 kg)

The Jungheinrich ECE 118 is ideally suitable for efficient order picking on uneven floors. The ergonomic stand-on platform and the battery lift simultaneously with the Initial Lift. This increases ground clearance over warehouse thresholds and uneven floors which are coped with easily. The Initial Lift also makes driving into a lorry easier.

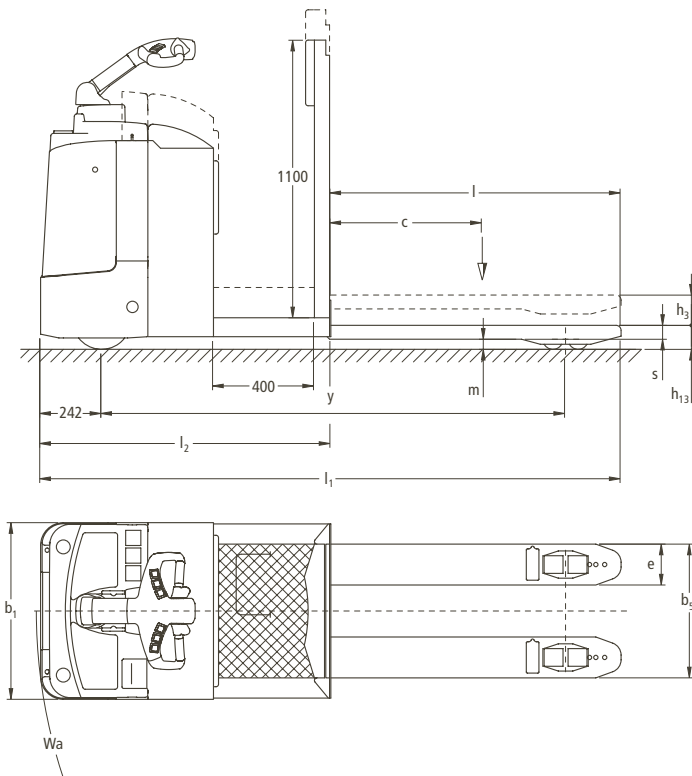
The ECE 118 is equipped as standard with a mechanical tiller. All operating controls are accessible without excessive hand movements.

Its excellent performance is down to 3<sup>rd</sup> generation AC technology. It gives powerful acceleration and high top speed with significant energy saving, prolonged operating times and low maintenance (no

carbon brushes). This is helped by an efficient set up between drive motor and the electronic drive controller. Both are developed and manufactured within our group. This also allows the truck to have efficient regenerative braking.

Batteries with capacities up to 375 Ah are available for intensive applications over longer distances.

# ECE 118



Dimension table ECE 118 (mm)

l	$l_1^{1)}$	$y^{1)2)}$	Fork overhang	$Wa^{1)2)}$	$Ast^{1)2)}$	$x^2)$
1150	2352	1852	186	2110	2616	894
1400	2602	2102	186	2360	2816	1144
1600	2802	2302	186	2560	3016	1344
2400	3602	2730	560	2990	3818	1772

1) with large battery compartment (375 Ah) + 72 mm

2) if load section is lowered + 70 mm

# Technical data in line with VDI 2198 as at: 08/2010

Identification	1.1	Manufacturer (abbreviation)		Jungheinrich	1.1
	1.2	Manufacturer's type designation		<b>ECE 118</b>	1.2
	1.3	Drive		electric	1.3
	1.4	Operator type		stand-on	1.4
	1.5	Load capacity/rated load	Q (t)	1.8	1.5
	1.6	Load centre distance	c (mm)	600	1.6
	1.8	Load distance, centre of drive axle to fork	x (mm)	894 <sup>2)</sup>	1.8
	1.9	Wheelbase	y (mm)	1852 <sup>1)2)</sup>	1.9
	Weights	2.1	Service weight incl. battery (see line 6.5)	kg	760
2.2		Axle loading, laden front/rear	kg	720/1840	2.2
2.3		Axle loading, unladen front/rear	kg	570/190	2.3
Wheels, Chassis	3.1	Tyres		Vulkollan®	3.1
	3.2	Tyre size, front	mm	Ø230 x 70	3.2
	3.3	Tyre size, rear	mm	Ø82 x 70	3.3
	3.4	Additional wheels (dimensions)	mm	Ø125 x 54	3.4
	3.5	Wheels, number front rear (x = driven wheels)		1x + 2/4	3.5
	3.6	Tread, front	b <sub>10</sub> (mm)	464	3.6
	3.7	Tread, rear	b <sub>11</sub> (mm)	370	3.7
Basic Dimensions	4.4	Lift (standard mast)	h <sub>3</sub> (mm)	122	4.4
	4.9	Height of tiller in drive position min./max.	h <sub>14</sub> (mm)	1450	4.9
	4.15	Height, lowered	h <sub>13</sub> (mm)	85	4.15
	4.19	Overall length	l <sub>1</sub> (mm)	2352 <sup>2)</sup>	4.19
	4.20	Length to face of forks	l <sub>2</sub> (mm)	1202	4.20
	4.21	Overall width	b <sub>1</sub> /b <sub>2</sub> (mm)	700/-	4.21
	4.22	Fork dimensions	s/e/l (mm)	55 x 162 x 1150	4.22
	4.25	Distance between fork-arms	b <sub>5</sub> (mm)	532	4.25
	4.32	Ground clearance, centre of wheelbase	m <sub>2</sub> (mm)	30	4.32
	4.34	Aisle width for pallets 800 x 1200 lengthways	Ast (mm)	2616 <sup>1)2)</sup>	4.34
	4.35	Turning radius	Wa (mm)	2110 <sup>1)2)</sup>	4.35
Performance Data	5.1	Travel speed, laden/unladen	km/h	9.0/10.6	5.1
	5.2	Lift speed, laden/unladen	m/s	0.05/0.06	5.2
	5.3	Lowering speed, laden/unladen	m/s	0.055/0.04	5.3
	5.8	Max. gradeability, laden/unladen	%	5/10	5.8
	5.10	Service brake		regenerative	5.10
E-Motor	6.1	Drive motor rating S <sub>2</sub> 60 min	kW	1.6	6.1
	6.2	Lift motor rating at S <sub>3</sub> 10%	kW	1.5	6.2
	6.3	Battery acc. to DIN 43531/35/36 A, B, C, no		B	6.3
	6.4	Battery voltage, nominal capacity K <sub>s</sub>	V/Ah	24/250	6.4
	6.5	Battery weight	kg	210	6.5
Others	8.1	Type of drive control		AC SpeedControl	8.1

1) with large battery compartment (375 Ah) + 72 mm  
2) load section lowered: + 70 mm

# Make use of the advantages

## Innovative AC technology

Jungheinrich AC motors give high productivity coupled with low operating costs. The advantages are as follows:

- Excellent energy management giving low energy usage.
- Powerful acceleration.
- Fast travel direction change.
- No carbon brushes – the drive motor is maintenance-free.
- 2-year warranty on drive motor.

## Comfortable travel

The Jungheinrich electronic control "Speed-Control" gives comfortable, safe travel with adjustment for every application:

- The required speed is maintained in every travel situation even whilst going up and down gradients.
- 3 adjustable travel programmes for individual adjustment to any application.
- Regenerative braking with energy reclamation on deceleration.
- Multi-function tiller head.



Multifunction tiller head



Good ground clearance through raising battery and stand-on platform

## Easy operation

Larger ground clearance is created by raising the stand-on platform, so that uneven floors do not hinder the order picking process.

- Sprung and cushioned support wheels linked via torsion bar with ProTraLink ensure safe travel in every situation.
- ShockProtect – protection for operator, truck and load through additionally sprung drive. The spring system reduces jolts to the operator and chassis.

## Particularly narrow chassis

Easy handling even in confined spaces through narrow truck width (700 mm).

## Long operating times

Battery capacities up to 375 Ah ensure long operating times:

- Short version: 2 EPzS 250 Ah.
- Long version: 3 EPzS 375 Ah.

## Well informed at any time

Extensive control instruments provide the operator with a complete overview at any time.

- Information display "CanDis" (optional) with additional operating hour display and Service code memory.
- Truck activation via PIN with "CanCode" (optional).
- Further adjustment options for travel parameters (optional).



Jungheinrich CanCode and CanDis (optional)

## Jungheinrich UK Ltd.

Head Office:

Sherbourne House · Sherbourne Drive  
Tilbrook · Milton Keynes MK7 8HX  
Phone 01908 363100  
Fax 01908 363180

info@jungheinrich.co.uk  
www.jungheinrich.co.uk



**JUNGHEINRICH**  
Well worthwhile